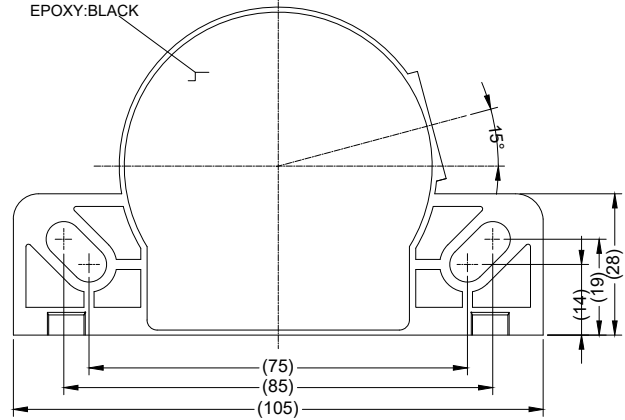
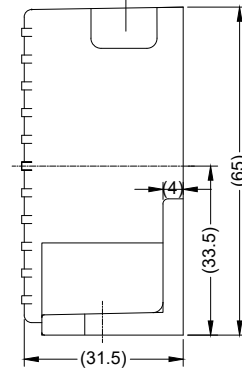
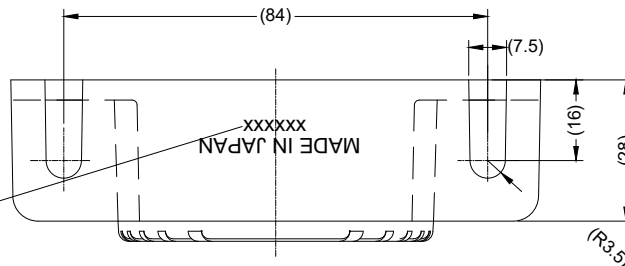


PROUDCT LABEL LOCATION

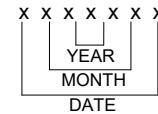


SPECIFICATION

- 1) RATED VOLTAGE:12- 24 VOLTS DIRECT CURRENT(WORKING VOLTAGE RANGE 9 THRU 32 VOLTS)
- 2) RATED CURRENT: 0.2 AMPERES OR LESS
- 3) SOUND PRESSURE: 102±4 DECIBELS AT TEST VOLTAGES OF 14- 28 VOLTS, (AS MEASURED AT A DISTANCE OF 1.2 METERS AND AT A HEIGHT OF 1.2 METERS ABOVE THE GROUND)
- 4) FREQUENCY:1400±200Hz AT TEST VOLTAGES OF 14- 28 VOLTS
- 5) INTERMITTENCE:80±10 CYCLES PER MINUTE AT TEST VOLTAGES OF 14- 28 VOLTS
- 6) DURABILITY : CONSECUTIVE 500 HOURS AT TEST VOLTAGES OF 28 VOLTS
- 7) SURGE VOLTAGE : TO BE FREE FROM ABNORMALITY WHEN APPLYING 100V,100ms PULSES FOR 5 SECONDS AT TEST VOLTAGE OF 28V
- 8) REVERSE POLARITY VOLTAGE PROTECTION: 400 VDC
- 9) RUSH CURRENT: 5 AMPERES. 5μs OR LESS AT A MAXIMUM VOLTAGE OF 32 VOLTS
- 10) RANGE OF OPERATING TEMP. GUARANTEED : -40c THRU 85c
- 11) WATER RESISTANCE : TO RESIST WATER AND BE ABNORMAITY-FREE AS TESTED SUBJECT TO ITEM S1,JIS D0203.
- 12) VIBRATION RESISTANCE : TO SATISFY A REQUIREMENT OF 10G SPECIFIED FOR SAE994.
- 13) DUST PROOFNESS : TO BE ABNORMAITY-FREE AFTER SUBJECT TO ITEM F2, JIS D0207
- 14) OTHERS:SUBJECT TO SAE-J994B



PRODUCTION LOT NO.



PROPRIETARY NOTICE

THIS DESIGN AND TECHNICAL INFORMATION APPEARING ON THIS DRAWING IS THE PROPERTY OF BRIGADE ELECTRONICS, AND IS DISCLOSED IN CONFIDENCE. IT IS NOT TO BE COPIED, REPRODUCED, REVEALED TO OR EXPROPRIATED BY OTHERS, EITHER IN WHOLE OR IN PART WITHOUT THE EXPRESS WRITTEN CONSENT OF BRIGADE ELECTRONICS.

**BRIGADE**  
 www.brigade-electronics.com

Assembly Pl Approval K. IIDA	Approved by GUSTAF PLITH	Checked by M. BUTLER	Drawn by R. Bates
Angle of Projection 	Units mm	Scale N/A	Released 11/11/2013
Status RELEASED	BA-170		
Part No 1275	BE-000164-01-04		